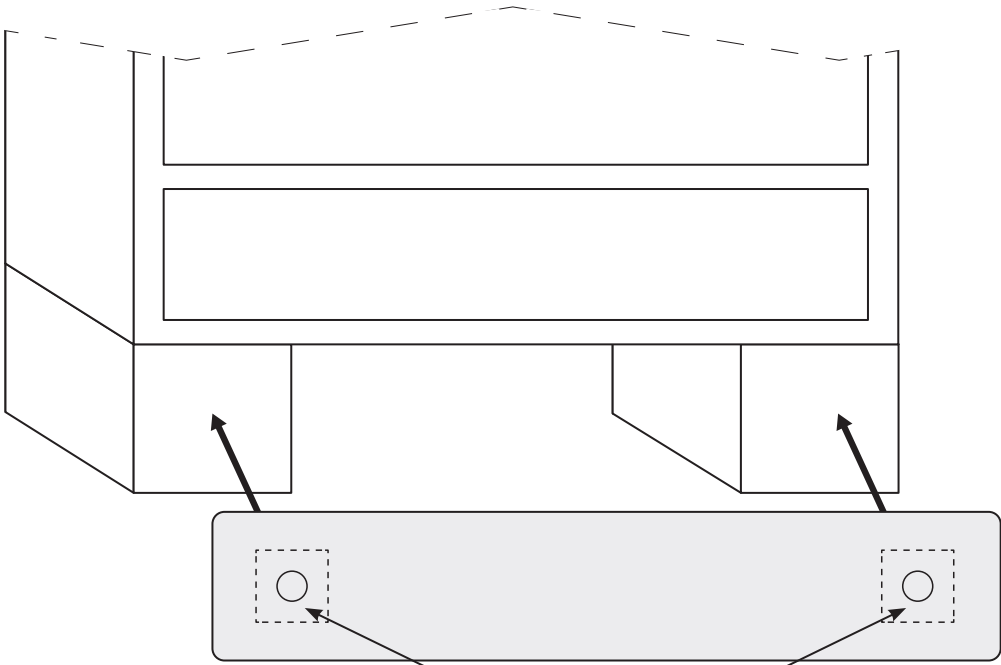
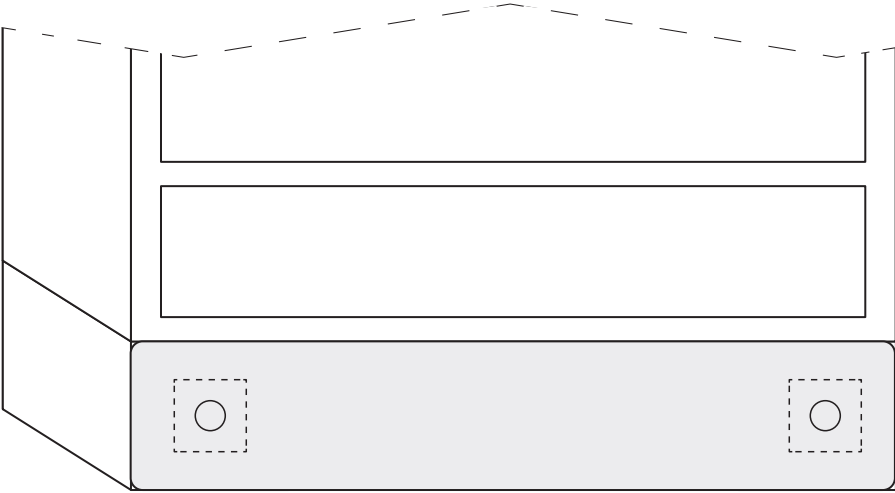


# Class C Solutions Group 80707 / 80708

## Applying the apron



**Double Sided Stick Tape**  
Line up double stick tape with legs.  
Peel off and apply.



**Apply Apron**  
Keep bottom flush with floor to eliminate small parts from getting lost under the cabinet.