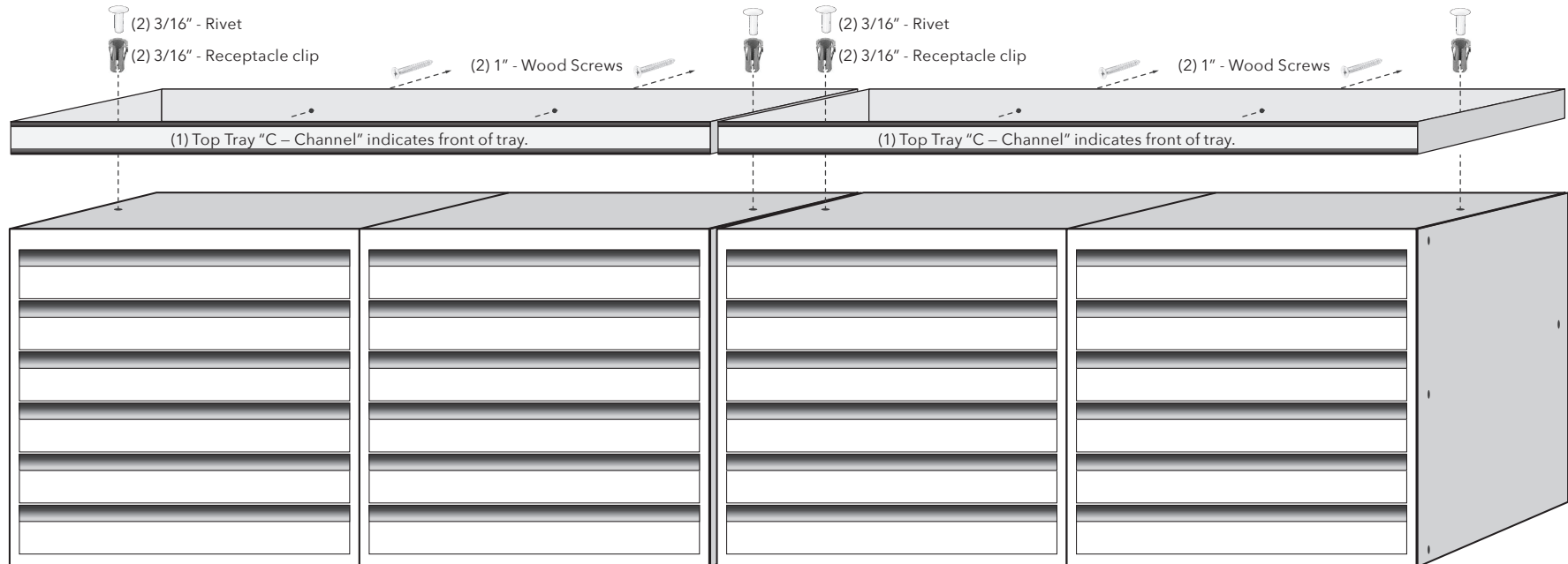
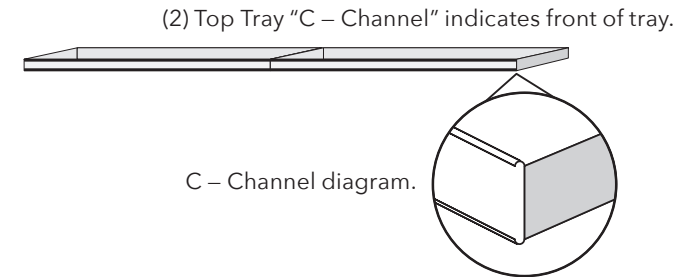
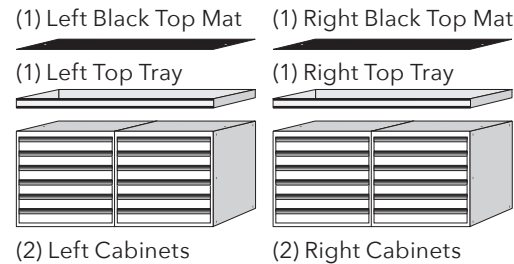


TOP TRAY ASSEMBLY INSTRUCTIONS

STEP #1

KIT INCLUDES:

- (4) 3/16" - Rivet
- (4) 3/16" - Receptacle clip
- (4) 1" - Wood screws
- (4) 1" Self tapping screws
- (2) Black top mats 21 3/8" W x 46 1/4" L



! IMPORTANT NOTICE !

EMPTY CABINETS MUST BE PLACED IN RACK AND ASSEMBLED WITH TOP TRAYS PRIOR TO LOADING TOOLS.

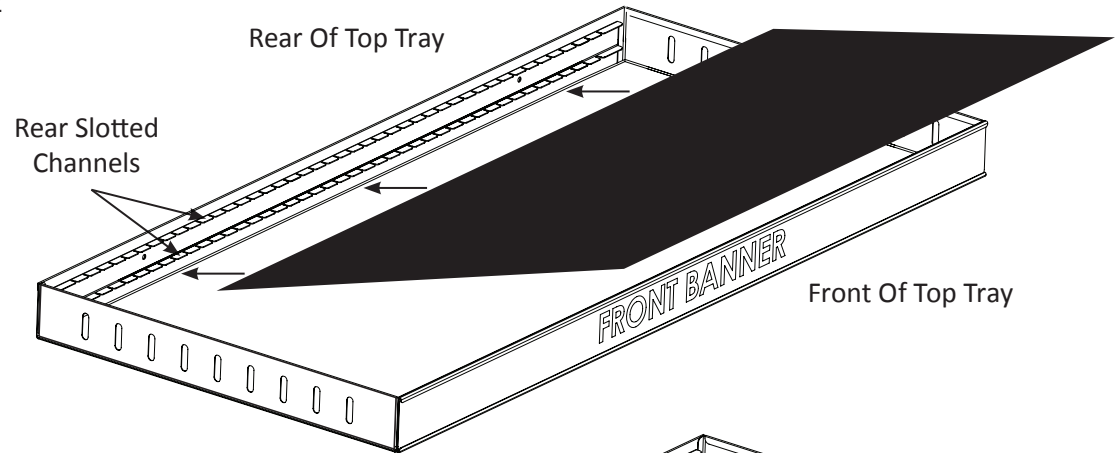
1. The top mat shipped in between the cabinets and top tray. Start by removing the top mat and place the top tray on the cabinets.
2. To secure the top tray to cabinets. Making sure the C - Channel of the top tray faces the front of the cabinet
3. Each top tray gets (2) 3/16" Rivets and (2) 3/16" receptacle clips, install clips through top tray into cabinet and then install rivet to secure top tray to cabinet
4. Align the (2) holes in the top tray with the holes in each cabinets then push the rivet into place to secure to cabinet.
5. Attach the top tray back to wood with (2) 1" wood screws. If attaching to metal use (2) 1" self tapping screws.

MAT PLACEMENT INSTRUCTIONS

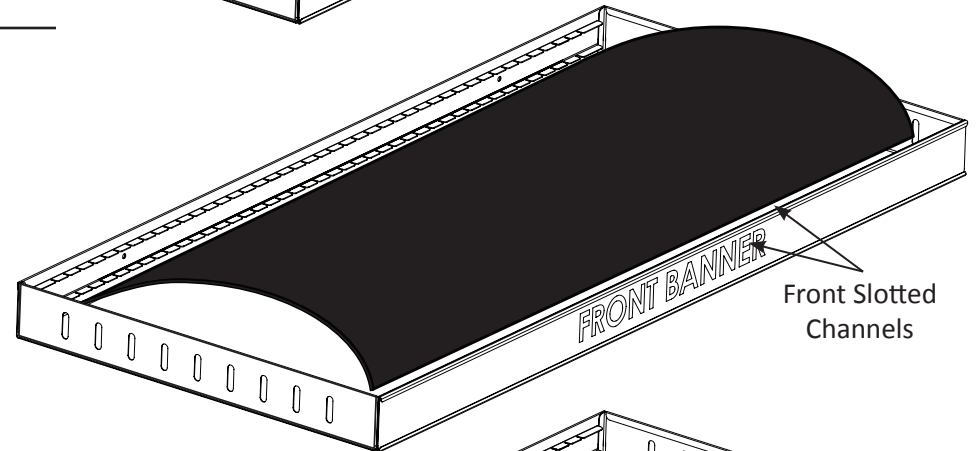
STEP #2

NOTE: YOU MUST SECURE THE TOP TRAY TO THE CABINETS **BEFORE** INSTALLING THE TOP MAT.

1. Locate the top mat, you will notice the top mat has a shiny side and a matte side.
2. Make sure the matte side of the top mat is facing up.
3. Start by placing the top mat in the bottom rear corner of the top tray. Make sure the mat is UNDER the bottom row slotted channels.



5. Use your hands and apply pressure to bow the front of the top mat.
6. Align the front edge of the black top mat with the bottom of the top tray. Make sure the top mat is UNDER the two front slotted channels.



7. When you have enough room to place the front of the top mat under the two front slotted channels allow the top mat to lay flat into the top tray.

