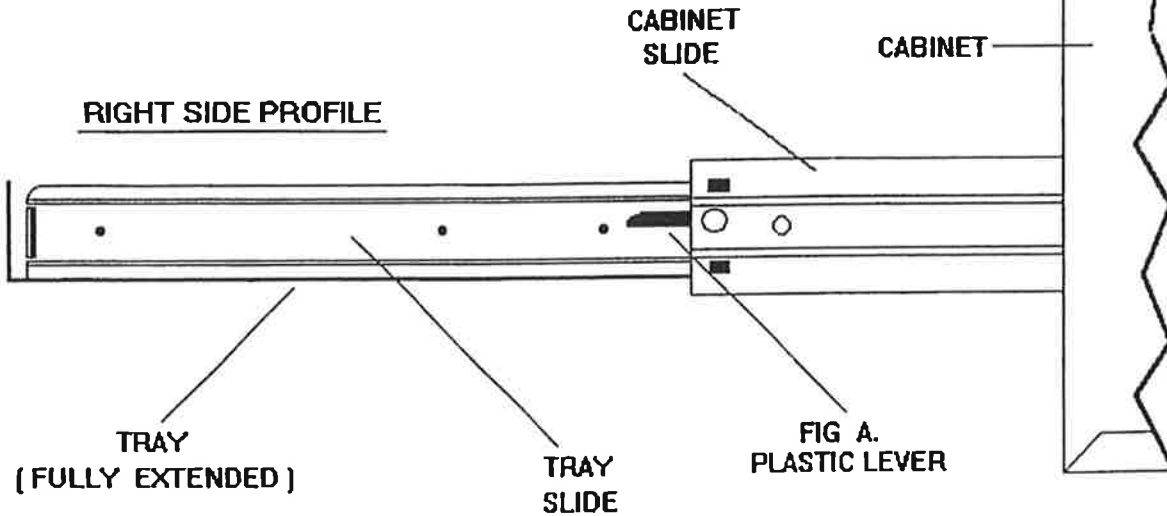


# 201890

6 TRAY / DRAWER CABINET

**TRAY / DRAWER REMOVAL**

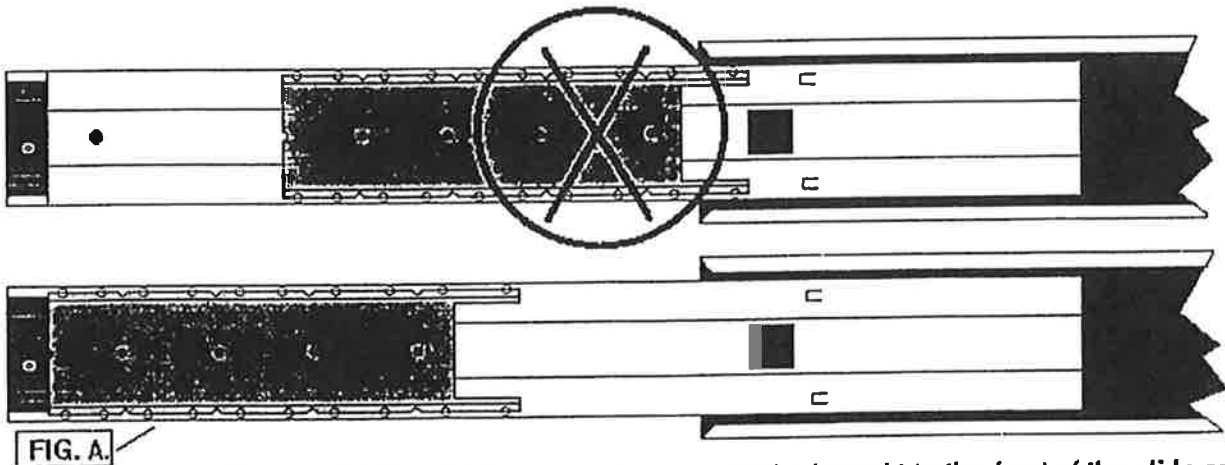
(For cabinets with ball bearing slides)



**CAUTION: Trays should be empty prior to removing !!!**

To remove tray (s), fully extend tray as shown. Push down on plastic lever ( FIG A. ) on RIGHT side of tray, while pushing up on plastic lever on LEFT side of tray. Pull tray out.

**TRAY / DRAWER RE-INSTALLATION**



When re-installing tray(s), the ball bearing retainers must be brought to the front of the slide on left and right slides to ensure safe re-installation as shown in FIG. A. At this point, align slides on tray and gently push in until tray slide snaps into lock position.

**WARNING !**

Do NOT stack cabinets unless they are securely fastened to a wall !