

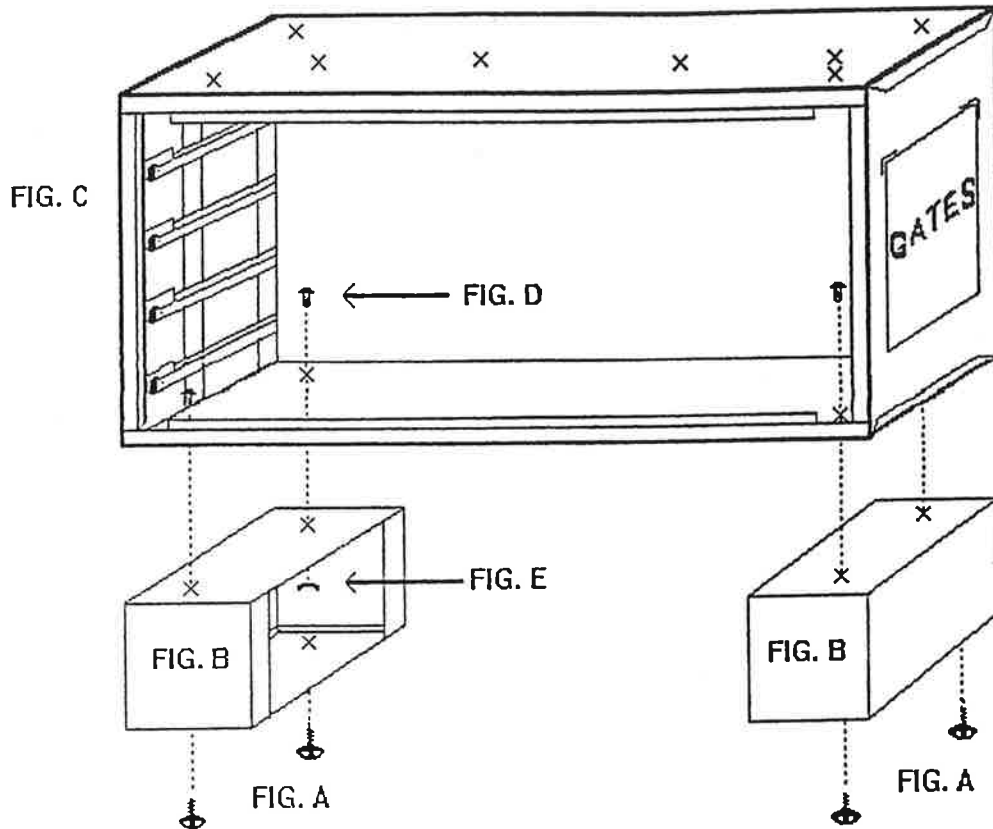
GATES RUBBER COMPANY

(Assembly instructions for no. 74840011)

— STATIONARY LEG SET —

(Enclosed)
Hardware list:

FIG.
D - (4) 1/2" bolts
E - (4) wing nuts
A - (4) glide adjusters



GLIDE ADJUSTER ASSEMBLY:

To level cabinet, four threaded glide adjusters (FIG.A) have been enclosed. Thread two glide adjusters into two threaded holes on each leg (FIG.B). Adjust glide adjusters as necessary to the level required at your installation sight.

LEGS TO CABINET ASSEMBLY:

(REQUIRES TWO PEOPLE) Unpack cabinet. Remove two lower trays by pulling trays outward until fully extended. Lift up and out. Lay cabinet on its back. Bolt legs (FIG.B) to bottom of cabinet (FIG.C) with four 1/2" bolts (FIG.D) & four 1/4" wing nuts (FIG.E) which have been provided. Install cabinet at your location sight. Replace two lower trays.

CAUTION:

CABINET MUST BE AFFIXED TO WALL THROUGH HOLES IN THE BACK OF THE CABINET WHEN USING THIS LEG SET !!
700 LBS. MAX. TOTAL IS RECOMMENDED PER LEG SET !!
DO NOT STACK CABINETS MORE THAN TWO HIGH!!
(SEE INSTRUCTIONS FOR STACKING)